

# TRACSTAR® 1200

Fusion capability for 16" OD to 48" OD (450mm – 1200mm) pipe



## OVERVIEW

The McElroy **TracStar® 1200** brings larger pipe capability to its line of self-propelled, track-mounted fusion machines. The TracStar 1200 butt fuses pipe from 16" OD to 48" OD (450mm to 1200mm) and can traverse most any terrain.

The self-contained machine features an on-board generator for powering the heater and facer, which is now positioned between the fixed jaws for easier pipe transfer. The carriage can be easily removed for in-ditch use. The engine is available with advanced emission control technology that meets the EPA's latest Tier 4 standards, without the need for diesel exhaust fluid (DEF). An Auto TracStar 1200 is available upon request.

## FEATURES

- Patented Centerline Guidance System for equal distribution of force around the joint
- ISO-compliant industrial Teflon-coated heater plates
- Advanced blade design for smooth face and long life
- DataLogger® compatible
- Removable 3- or 4-jaw carriage for in-ditch use
- Hydraulic outriggers for machine stability and leveling
- Dual hydraulic pipe lifts aid in loading and unloading pipe
- Serrated jaws and inserts keep pipe from slipping during fusion
- Hydraulic pivoting heater and facer
- Wireless remote driving control
- Dual-speed tracks
- Ergonomic operator platform
- Redesigned cowling allows easy access for machine maintenance
- Remote engine stop/start capabilities

## SPECIFICATIONS

### CAPACITY

Fuses Pipe Sizes: ..... 16" OD – 48" OD (450mm – 1200mm)

### MODELS

CYLINDER FORCE	EMISSIONS COMPLIANCE	PART NUMBER
High	US Tier 4 and EU Stage IIIB Compliant	AT4800101
Medium	Ultra Low Sulfur Diesel Engine	AT4800102
High	EU Stage IIIA Compliant	AT4800103
Medium	High Sulfur Diesel Engine	AT4800104

### POWER

Heater Power: ..... 35,000 Watt

Facer Power: ..... Hydraulic

### WEIGHT\*

\*Machine weights are with fluids full. Inserts not included in weight.

Machine (Vehicle and Carriage): ..... 14,860 lbs. (6740.4 Kg)

4-Jaw Carriage Configuration: ..... 7,450 lbs. (3379.3 Kg)

3-Jaw Carriage Configuration: ..... 3,680 lbs. (1669 Kg)

Facer: ..... 775 lbs. (351.5 Kg)

Heater: ..... 600 lbs. (272.2 Kg)

Lifting Sling: ..... 500 lbs. (226.8 Kg)

### HYDRAULICS

Maximum System Pressure: ..... 3,000 PSI (207 BAR)

Hydraulic Reservoir Capacity: ..... 23 Gallons (87 Liters)

### ENGINE

EMISSIONS COMPLIANCE	FUEL TYPE	ENGINE TYPE
Tier 4 / Stage IIIB	Ultra Low Sulfur Diesel	74HP (55Kw), 2.8L, 4 Cylinder Turbo, Charge Air Cooled, EGR, DEF not required
Stage IIIA	High Sulfur Diesel	72HP (54Kw), 2.8L, 4 Cylinder Turbo, DEF not required

Fuel Tank Capacity: ..... 23 Gallons (87 Liters)

Operational Tank Capacity: ..... 12 Hours

Starting System: ..... Electric

### CHASSIS

Frame: ..... Welded steel construction

Brake: ..... Spring-applied, hydraulic-release wheel motors

### MOBILITY

Tracked: ..... Rubber crawler tracks

Transportation: ..... Self-propelled

Vehicle Speed: ..... Low 1.1 mph/High 1.4 mph

Lifting: ..... Lift points and lifting assembly

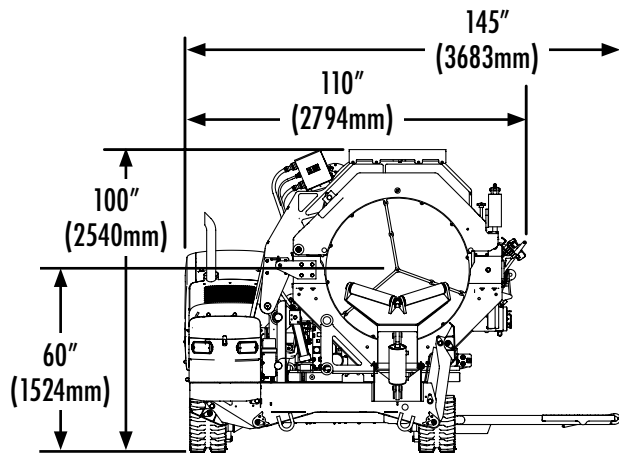
### INCLUSIONS

The TracStar 1200 includes fusion machine, facer, heater, remote control with rechargeable batteries and lifting assembly. Optional in-ditch kit sold separately. Specifications subject to change without notice.

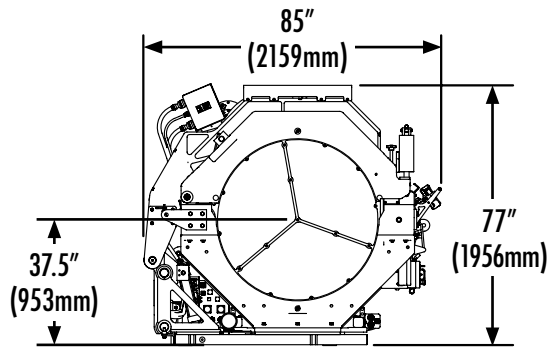
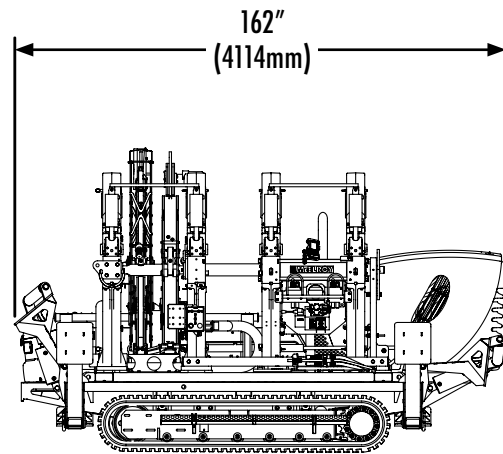


# TRACSTAR<sup>®</sup> 1200

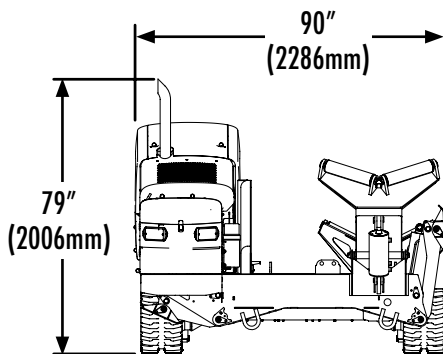
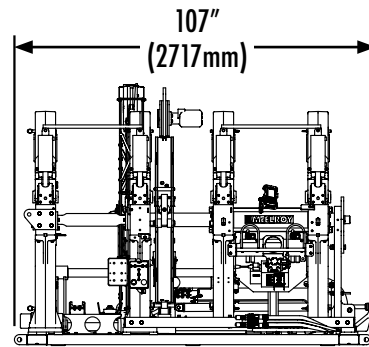
Fusion capability for 16" OD to 48" OD (450mm — 1200mm) pipe



**TRACSTAR 1200 WITH PLATFORM LOWERED**



**TRACSTAR 1200 4-JAW CARRIAGE**



**TRACSTAR 1200 MACHINE VEHICLE**

